

## Helpdesk/Technical Support

Technical Support E-mail: [tech@swann.com](mailto:tech@swann.com)

Technical Support Website: [support.swann.com](http://support.swann.com)

Telephone Helpdesk

USA Toll Free 1-800-627-2799

USA Parts & Warranty 1-800-627-2799

(M-F, 9am-5pm US PT)

AUSTRALIA 1800 788 210

NEW ZEALAND Toll Free 0800 479 266

UK 0808 168 9031



MT858250516E | © Swann 2016

## Limited Warranty & Terms & Conditions

Swann Communications warrants this product against defects in workmanship and material for a period of one (1) year from its original purchase date. You must present your receipt as proof of purchase for warranty validation. Any unit which proves defective during the stated period will be repaired without charge for parts or labour or replaced at the sole discretion of Swann. The end user is responsible for all freight charges incurred to send the product to Swann's repair centres. The end user is responsible for all shipping costs incurred when shipping from and to any country other than the country of origin.

The warranty does not cover any incidental, accidental or consequential damages arising from the use of or the inability to use this product. Any costs associated with the fitting or removal of this product by a tradesman or other person or any other

costs associated with its use are the responsibility of the end user. This warranty applies to the original purchaser of the product only and is not transferable to any third party. Unauthorized end user or third party modifications to any component will render all warranties void. By law some countries do not allow limitations on certain exclusions in this warranty. Where applicable by local laws, regulations and legal rights will take precedence.

**For Australia:** Our goods come with guarantees which cannot be excluded under Australian Consumer Law. You are entitled to a replacement or refund for a major failure and for compensation for any other reasonably foreseeable loss or damage. You are also entitled to have the goods repaired or replaced if the goods fail to be of acceptable quality.

## FCC Verification

This equipment has been tested and found to comply with the limits for Class B digital device, pursuant to part 15 of the FCC Rules. These limits are designed to provide reasonable protection against harmful interference in a residential installation. This equipment generates, uses and can radiate radio frequency energy and, if not installed and used in accordance with the instructions, may cause harmful interference to radio or television reception, which can be determined by turning the equipment off and on, the user is encouraged to try to correct the interference by one or more of the following measures:

- Reorient or relocate the receiving antenna
- Increase the separation between the equipment and the receiver
- Connect the equipment into an outlet on a circuit different from that to which the receiver is connected
- Consult the dealer or an experienced radio/TV technician for help

These devices comply with part 15 of the FCC Rules. Operation is subject to the following two conditions:

- (1) These devices may not cause harmful interference.
- (2) These devices must accept any interference received, including interference that may cause undesired operation.



## Super HD Bullet Security Camera

For use with Swann 4750 Series HD DVRs

EN

INSTRUCTION MANUAL

## Introduction

Congratulations on your purchase of this Super HD Bullet Security Camera.

- Enjoy day & night security & have a bird's eye view of your premises with this 3MP HD video surveillance camera
- Seeing is believing from 3 Megapixel (1536p) camera with resolution that's 50% superior to 1080p, perfect for close up detail such as license plates, facial detail, clothing colors & more
- See what's happening in any light with infrared cut filter & powerful LEDs producing night vision up to 100ft / 30m
- With sleek bullet styling & sturdy aluminum construction the camera suit indoor & outdoor applications with IP66 rating for any weather conditions

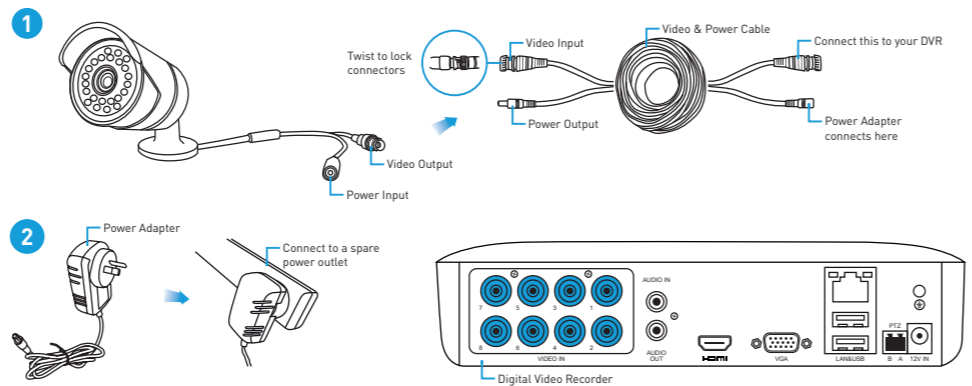
### Important instructions

- 1) Make sure the camera is fixed correctly and stable if fastened in place.
- 2) Only use the supplied power adapter (12V).
- 3) For use with Swann's DVR4-4750 or DVR8-4750 digital video recorders.
- 4) Have a look at the camera location tips included with your DVR, to select the best location for your camera (the camera location tips provided here are for general purpose only).

**Please note:** The camera has an on-screen display (OSD) that you can access using the PTZ controls on your DVR. Download the OSD instruction manual from our support center ([support.swann.com](http://support.swann.com)). Search for - [T858 OSD Manual](#).

1

## Connecting your Camera

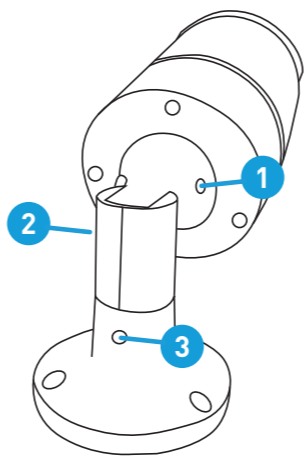


1) Connect the video output and power input connections on the camera to the corresponding connections on the supplied video & power cable. Connect the video output on the video & power cable to an available camera input on your DVR.

2) Connect the supplied power adapter to the power input on the video & power cable then connect the power adapter to a spare power outlet. Press the power outlet's switch to the on position to supply power to the camera.

2

## Mounting the Camera



The camera has three points of articulation. The most obvious is the screw secured elbow joint in the centre of the stand (2). Using an Allen key, loosen the hex screw and adjust to the position you want (up or down). Tighten the screw again to secure in place.

The second point of articulation (1) is the radial joint where the neck of the stand is attached directly to the camera. This enables you to rotate the camera left or right so no matter what direction the camera is facing, your images will be oriented correctly. Loosen each hex screw and position accordingly. Tighten each screw again to secure in place.

To rotate the camera stand left or right (3), loosen each hex screw at the base and position accordingly. Tighten each screw again to secure in place.

Of course, there will always be some outlying cases where the camera and stand simply won't fit where you want to mount them. Maybe you have a hanging awning, or a drain pipe in an inconvenient spot. In these cases, we suggest obtaining a mounting bracket, which should be available from any good hardware store.

3

## Camera Location Tips

- 1) What you want to monitor and where you'll get the best view of it.
- 2) How you're going to connect the camera to your monitoring system; remember that cables and connections should be kept out of the weather.
- 3) How to keep the camera out of harm's way. It's recommended to mount your cameras at an elevated position.
- 4) Place your camera as close to the area of interest as practicable. The best position is from about 4m (13ft) above looking slightly down, keeping in mind the details you are looking for.
- 5) Although the sky looks nice when you look at the live view from your camera, it is an unlikely direction for an offender to approach, make sure your camera has minimal sky in it as the light in daylight can make the foreground of the image darker.
- 6) Think about the most likely way a potential offender may approach your home, use your cameras to give you the best coverage of these areas.
- 7) The camera's casing is resistant to water, different weather conditions and tampering. It would take an overwhelming event of this kind to damage the housing of the camera. However, the cable and connector are vulnerable and require protection.
- 8) Even though the camera is weather and water-resistant, prolonged exposure to adverse weather conditions such as sunlight or excessive moisture, may eventually damage the internal components of the camera and adversely affect its performance.
- 9) Avoid bending your cables at sharp angles.
- 10) Don't put your cable near live electrical wiring. AC electricity generates radio "noise" which can interfere with the signal from your camera.

4