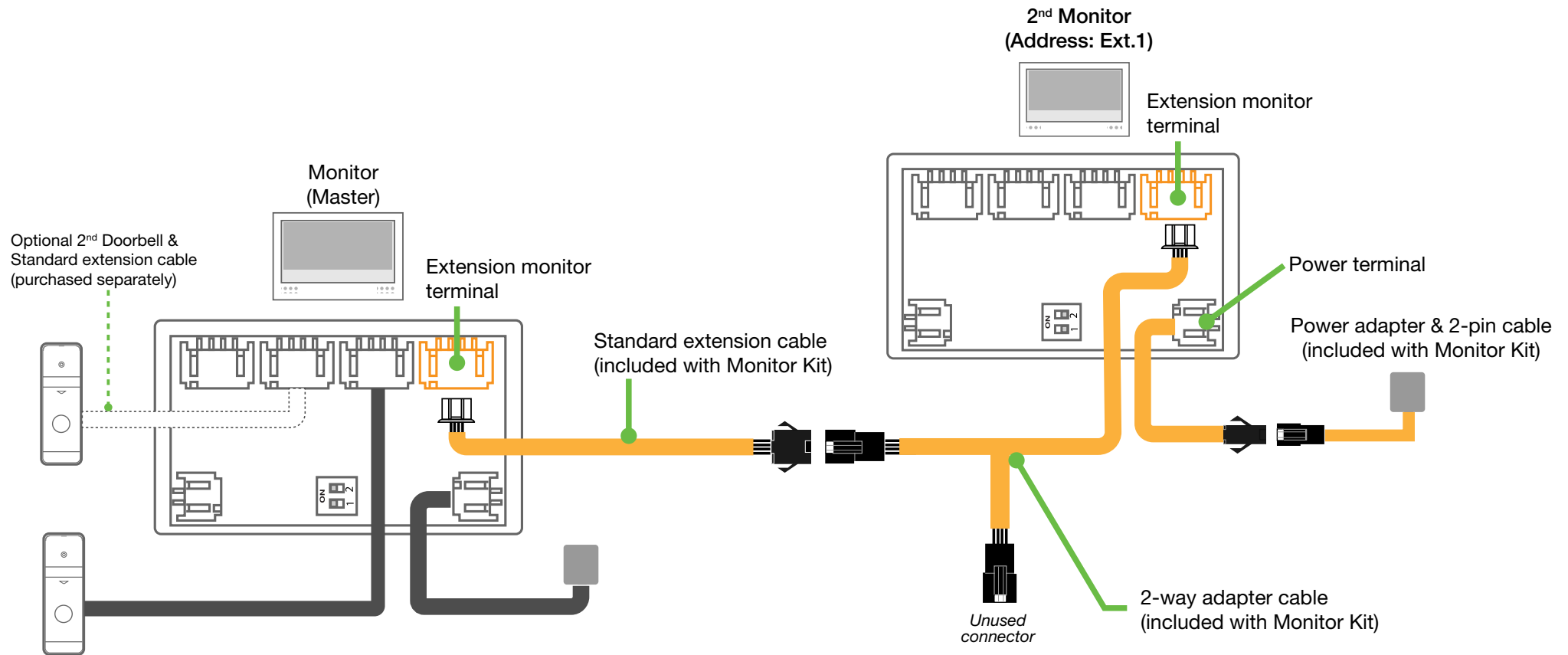


Swann DP885C Monitor Kit Connection Guide

This additional monitor accessory kit has been designed to operate with the Swann DP885C Video Doorphone system. Each extension monitor must be assigned an “address” via the monitor’s settings (Menu > Address) before use. Please refer to your DP885C user manual for general information about using the monitor.

Adding a Second Monitor

The following diagram shows how to connect a second monitor to your Swann Video Doorphone system.



Adding a Third Monitor

The following diagram shows how to connect a third monitor to your Swann Video Doorphone system.

