

Tips

Smart Hub

If you are having difficulties with your hub, try restarting it. A simple restart can often fix connectivity issues quickly. To restart your hub, use a straightened paperclip to press the **Reset** button and at the same time hold the **WPS** button until the status LED goes off.

Motion Sensor

Place the motion sensor indoors only and avoid mounting near heaters, air conditioners, light bulbs, where rapid temperature changes can occur, or facing a window where sunlight can be reflected.

Window/Door Sensor

Place the sensor and magnet components indoors only and make sure they are oriented properly. The sensor and magnet should ideally be positioned in a way that when the window or door is closed, they are aligned side by side, within 5/16" (8mm) from each other.

Key Fob

Activate a mode by double-pressing the corresponding mode button. The Panic button (press for 5 seconds) enables you to send an emergency alert notification to people on your contact list. To add or remove a person from your contact list, go to the **My Contacts** page on the Smart Home portal.

Indoor Camera

You can adjust settings for your camera including motion detection sensitivity, image quality, and video streaming quality. From the Smart Home portal, go to **My Settings > Cameras** and click the **Advanced** button of the camera you want to configure.

Regulatory and Safety Notices

Operating temperature: 24.8°F (-4°C) to 113°F (45°C), 90% relative humidity

FCC Statement

This device complies with Part 15 of the FCC Rules. Operation is subject to the following two conditions:

(1) this device may not cause harmful interference, and (2) this device must accept any interference received, including interference that may cause undesired operation.

FCC RF Radiation Exposure Statement Caution: To maintain compliance with the FCC's RF exposure guidelines, place the product at least 20cm from nearby persons.

WARNING: Modifications not approved by the party responsible for compliance could void user's authority to operate the equipment.

CE CE marking on this product represents the product is in compliance with all directives that are applicable to it.

♻️ Correct Disposal of This Product. This marking indicates that this product should not be disposed with other household wastes throughout the EU. To prevent possible harm to the environment or human health from uncontrolled waste disposal, recycle it responsibly to promote the sustainable reuse of material resources. To return your used device, please use the return and collection systems or contact the retailer where the product was purchased. They can take this product for environment safe recycling.

Battery Safety Information

Caution: Keep batteries away from small children. Risk of explosion if battery is replaced by an incorrect type. Dispose of used batteries promptly in accordance with local regulations.



ENGLISH

Smart Home Alarm & Video Monitoring Kit

QUICK START GUIDE



Help & Resources

Visit Swann Support Center at support.swann.com. You can register your product for dedicated customer support, download guides, find answers to commonly asked questions, and more.



Product Registration



Product Manuals



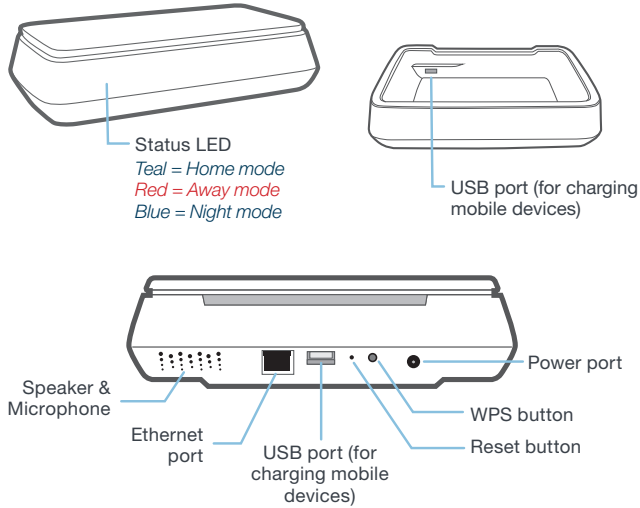
Technical Support



Support Community

1 Get to know the Smart Home System

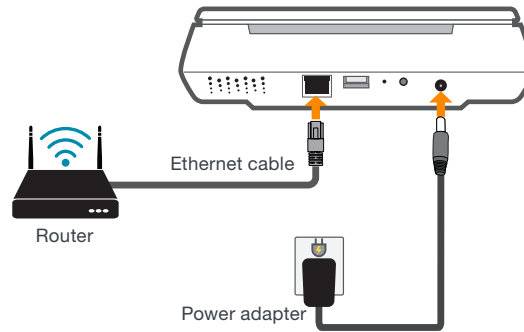
Smart Hub



2 Install the Smart Hub

Connect your Smart Hub to your internet router and a power outlet with the included Ethernet cable and power adapter

TIP You can unplug the Ethernet cable and move your Smart Hub around once it is set up and connected to Wi-Fi. For best possible coverage and device connectivity, place the Smart Hub somewhere central in your home.



3 Get the Home Protect App

The Home Protect app lets you stay connected with your Smart Home system using your smartphone or tablet. Receive sensor alerts, watch live video, change system mode, and more.

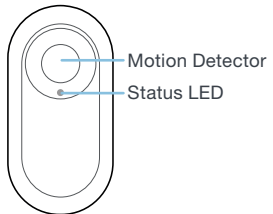
If you have an Android mobile device, download the latest version of the Home Protect app from Google Play (tap **Apps > Play Store**).



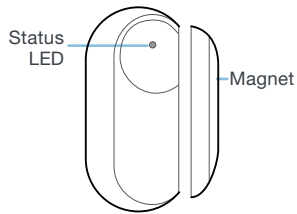
If you have an iOS mobile device, download the latest version of the Home Protect app from the Apple App Store.



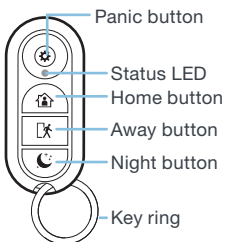
Motion Sensor



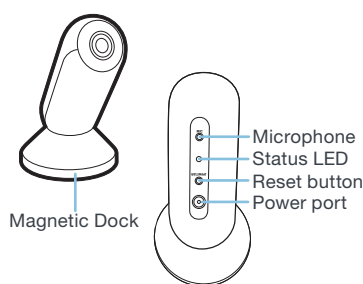
Window/Door Sensor



Key Fob



Indoor Camera



IMPORTANT: Always install the key ring as it is designed to secure the back cover in place and prevent children accessing the coin/button battery

4 Create your Smart Home Account

Sign up for your free Swann Smart Home account at home.swann.com. This will allow you to set up devices and manage your Smart Home system and services via the Smart Home portal.



5 Set up your Smart Home System

You're ready to start connecting devices once your Smart Home account is created and verified.

First, go to home.swann.com and sign in to the Swann Smart Home portal. Then follow the on-screen instructions displayed on the portal which will guide you through the necessary steps to set up your Smart Home system, such as registering the Smart Hub and Indoor Camera, connecting to a wireless network, and pairing the Key Fobs and Sensors with the Smart Hub.

TIP Find out more about your Smart Home device by downloading the accessory guide. Simply click the "User Manual" link for the device on the "My Devices" or "System Setup" page.